

## One Stage Universal Filtration



+ **Filternox**® Automatic Self-Cleaning SFH-MR models are supplied without coarse screen and suitable for low flow applications in industrial plants, local irrigation systems and secondary filtration for irrigation where water does not contain coarse particles.

+ SFH-MR, like all **Filternox**® Motor Reducer models, provides:

- Minimum and adjustable water consumption during back-flush,
- Adjustable RPM of cleaning mechanism, and
- The option of either one way or round trip cleaning sequences via control panel.

### General Technical Specifications

<b>Body Material</b> AISI 304L, AISI 316L	<b>Max. Operating Temperature</b> 60°C / 90°C	<b>Back-Flush Water Consumption</b> 80-120 l / back-flush
<b>Screen Material</b> AISI 316L	<b>Headloss at Max. Flow Rate</b> 0.2 bar	<b>Fine Screen Range</b> 10-3000 micron
<b>Max. Operating Pressure</b> PN10 / PN16	<b>Back-Flush Time</b> 15-20 s	<b>Control System</b> Electric
<b>Min. Inlet Pressure Required During Back-Flush</b> 2 bar	<b>rpm of Cleaning Mechanism</b> Adjustable	

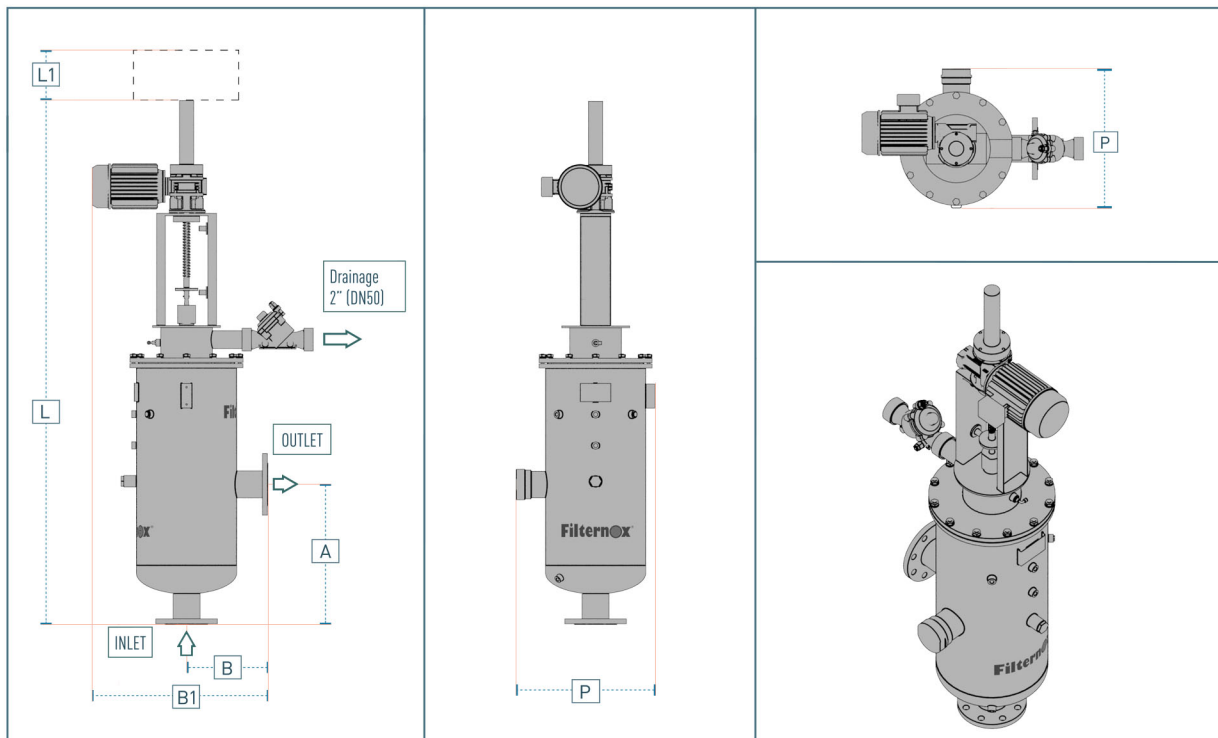
For different pressure and material requirements, please contact Filternox.

### Optional Features

**Alternative Energy Sources**  
Solar Energy

**Remote Control and Monitoring**  
PLC, PC,  
Mobile Devices,  
Filternox Head Office

## SFH-MR Model Dimensions



Model	Inlet-Outlet Diameter		Dimensions						Weight		Flow Rate	Filtration Area
			A	B	B1	L	L1	P	Empty	Full		
	inch	mm	mm						kg		m <sup>3</sup> /h	cm <sup>2</sup>
SFH 110102-MR	2	50	350	237	537	1390	200	324	50	75	up to 30	1200
SFH 110103-MR	3	80	350	237	537	1390	200	324	53	82	up to 50	1200
SFH 110104-MR	4	100	350	237	537	1390	200	324	57	88	up to 60	1200
SFHL 110102-MR	2	50	400	237	537	1490	200	359	55	85	up to 30	1800
SFHL 110103-MR	3	80	400	237	537	1490	200	369	58	92	up to 50	1800
SFHL 110104-MR	4	100	400	237	537	1490	200	369	62	98	up to 60	1800
SFH 110202-MR	2	50	450	237	537	1590	200	359	67	93	up to 50	2400
SFH 110203-MR	3	80	450	237	537	1590	200	369	70	100	up to 60	2400
SFH 110204-MR	4	100	450	237	537	1590	200	369	73	107	up to 80	2400

■ Tolerance value for given data is according to DIN ISO 2768-1(v).

■ For options with larger filtration area, please contact Filternox.

