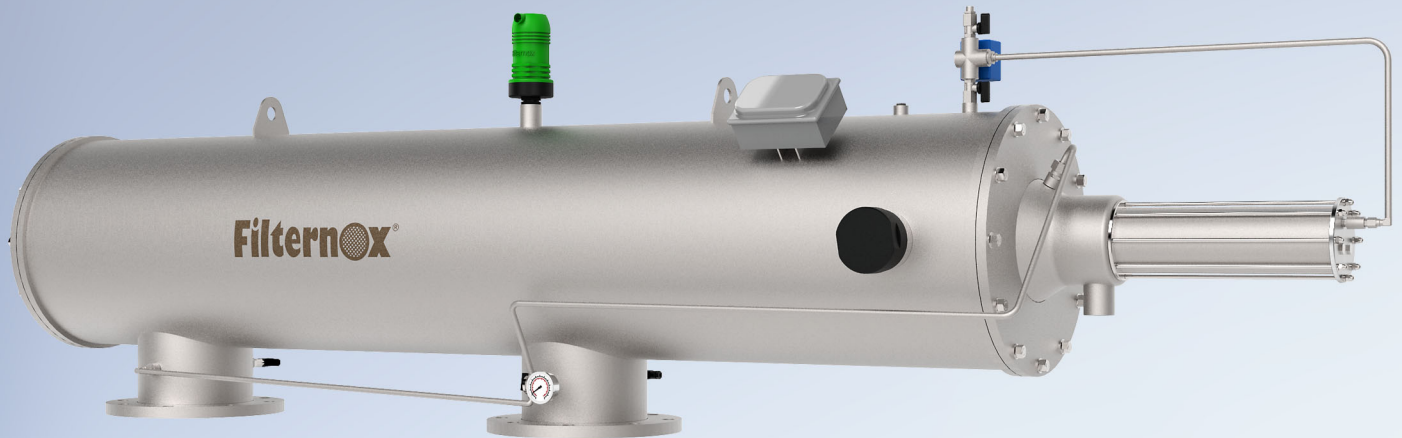


Uninterrupted Filtration in All Fields



+ **Filternox**® PFH models are standard piston type automatic self-cleaning filters.

+ Manual cleaning protective coarse screen in the inlet of the filter body protects the fine screen from being damaged by big particles.

+ PFH series provide exceptional performance in all industrial applications, irrigation systems and water treatment fields thanks to their stainless steel structure, hydraulic control operation with no additional power requirement, manual coarse screen and automatic self-cleaning fine screen.

General Technical Specifications

Body Material
AISI 304L, AISI 316L

Max. Operating Temperature
60°C / 90°C

Back-Flush Water Consumption
100-120 l / back-flush

Screen Material
AISI 316L

Headloss at Max. Flow Rate
0.2 bar

Fine Screen Range
10-3000 micron

Max. Operating Pressure
PN10 / PN16

Back-Flush Time
20-30 s

Control System
Electric

Min. Inlet Pressure Required During Back-Flush
2 bar

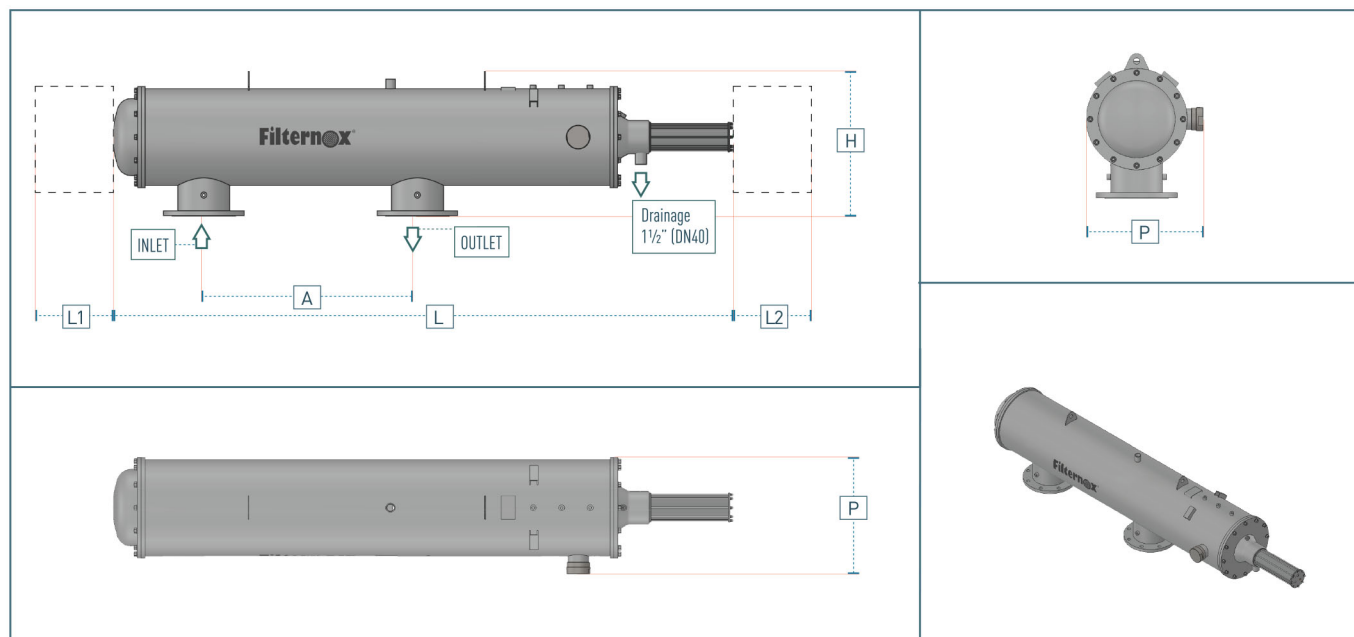
For different pressure and material requirements, please contact Filternox.

Optional Features

Alternative Energy Sources
Solar Energy

Remote Control and Monitoring
PLC, PC,
Mobile Devices,
Filternox Head Office

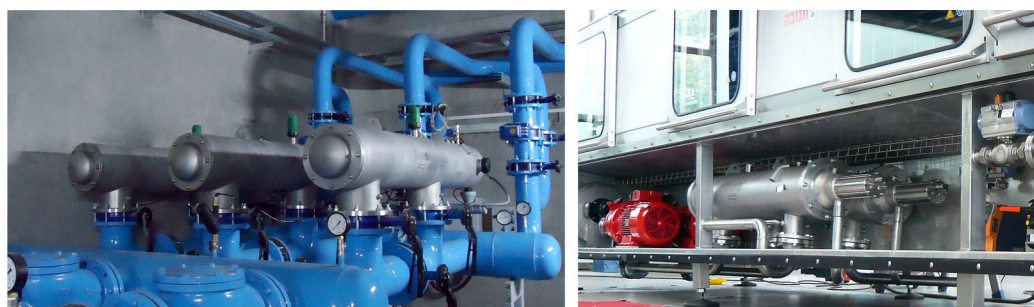
PFH Model Dimensions



Model	Inlet-Outlet Diameter		Dimensions						Weight		Flow Rate	Filtration Area
			A	L	L1	L2	H	P	Empty	Full		
	inch	mm	mm						kg		m ³ /h	cm ²
PFH 110203	3	80	500	1531	900	200	468	369	72	115	up to 60	2400
PFH 110304	4	100	700	1731	1100	200	468	369	85	135	up to 100	3600
PFH 110404	4	100	900	1931	1300	200	468	369	97	160	up to 120	4800
PFH 110406	6	150	900	2031	1300	200	478	369	104	175	up to 160	4800
PFH 112408	8	200	900	2031	1300	200	529	402	120	200	up to 180	4800
PFH 114406	6	150	900	2131	1300	200	561	436	160	255	up to 200	6400
PFH 114408	8	200	900	2131	1300	200	561	436	175	275	up to 240	6400
PFH 112608	8	200	900	2531	1700	200	529	402	150	290	up to 320	7200
PFH 114510	10	250	900	2425	1500	200	581	446	185	320	up to 400	8000
PFH 114610	10	250	900	2625	1800	200	581	446	225	370	up to 500	9600
PFH 116612	12	300	1200	2655	1800	200	661	496	255	415	up to 600	12000
PFH 118512	12	300	900	2445	1500	200	712	537	245	395	up to 750	12000
PFH 120512	12	300	900	2435	1600	200	763	588	265	420	up to 800	13500
PFH 118614	14	350	1200	2645	1800	200	712	551	280	435	up to 900	14400
PFH 120616	16	400	1200	2635	1800	200	763	607	310	475	up to 1000	16200

Tolerance value for given data is according to DIN ISO 2768-1(v).

For options with larger filtration area, please contact Filternox.



For more information and operating principle video of PFH models, please visit our website.

