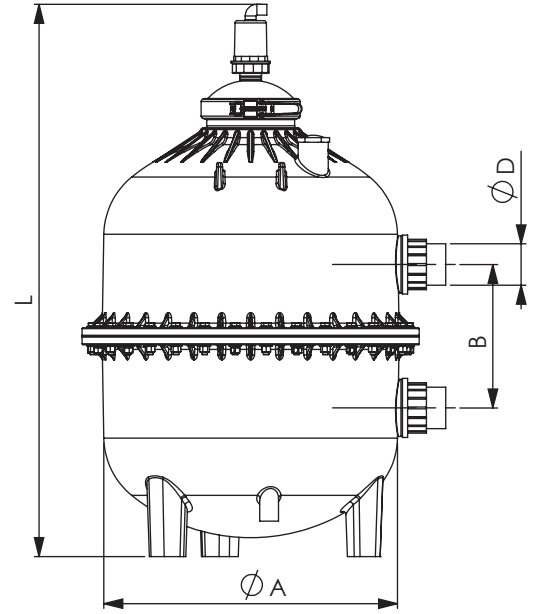


# Plastic Sand Media Filters



## P30

### GENERAL CHARACTERISTICS

Body Material: PA6GFR30  
 Maximum Working Pressure: 6 Bar (88 PSI)  
 Maximum Working Temperature: 60° C/ 140 °F  
 Maximum Sand Capacity: 200 Kg

Aytok Sand Media Filtration systems are designed to filter organic materials and particles which may come from water source in micro irrigation systems.

Sand Media Filter systems is applicable for open water sources such as river lake and dam to eliminate organic matters like algas for agricultural usage. Sand Media Filters are also the most common used filters for water treatment and sludge filtration in industrial areas as well.

- Easy to use and low maintenance requirement
- Single and array design possibilities
- Easy to handle and non-corrosive structure



CODE	A		B		L		D		Flow Rate		Weight	
	inch	mm	inch	mm	inch	mm	inch	DN	m <sup>3</sup> /h	Usgpm	kg	Ib
P3020	24	300	12	1100	44	2	50	20	88	43	94,8	
P3025	24	300	12	1100	44	2½	65	25	110	43,2	95,2	
P3030	24	300	12	1100	44	3	80	30	132	43,5	95,9	

